

## Flush Wall-Mounted System Ideal for High-Security Locations

Monitoring the activities of inmates and patients in high-security or sensitive types of areas requires a special kind of communication system. The system must be sensitive enough to deliver clear, intelligible communications in high-ambient noise environments. It must be durable enough to withstand a tough environment. And it must provide a measure of control for those responsible for the inmates or patients.

The Norcon TTU-5 is specifically designed to achieve this. It is intended for in-wall installations requiring flush-mounting and bullet resistance. It is enclosed in a pair of wall-mounted galvanized steel back boxes with stainless steel rectangular faces.

### HOW IT WORKS...

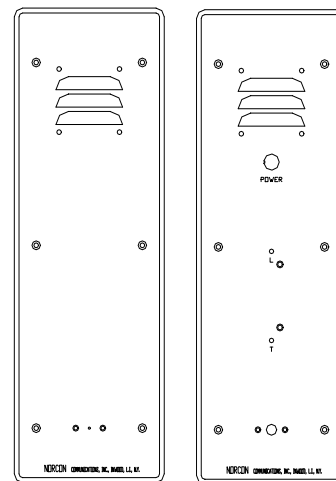
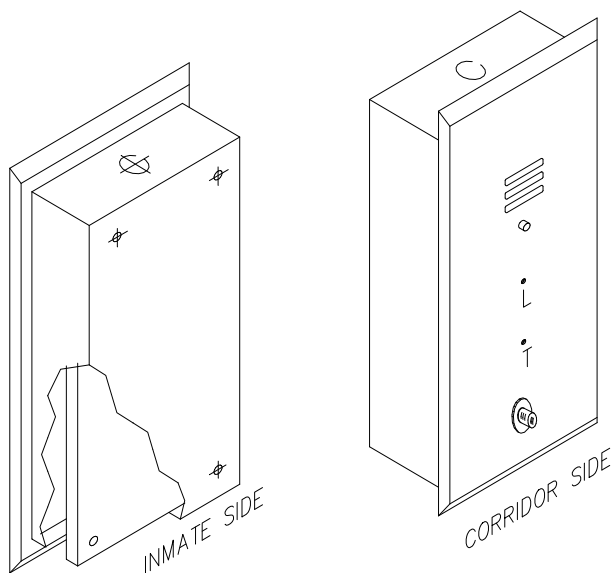
The microphone/speaker combination is designed to penetrate high-ambient noise levels. In addition, the TTU-5's circuitry shapes and enhances the sound for

maximum intelligibility. Its compression circuitry decreases loud, annoying sounds. The microphone/speaker and controls are flush with the panel, assuring a tamper-resistant environment. The operator has access to recessed volume controls.

### HOW TO INSTALL...

The TTU-5 unit with the controls goes on the corridor side; the other unit on the inmate or patient side. Simply connect the cable provided to the terminal blocks on the stainless steel plates. Then fasten these plates to the back-boxes using the tamper-proof screws and special tool furnished.

The panel on the exterior (corridor) side is connected to a continuous-duty, 90-240 VAC power supply which is stepped down to 15 Volts@1A



# Norcon TTU-5 Talk Thru System™

---

## FEATURES

- Clear 2-way hands-free voice communication.
- Quality electronic design and engineering.
- Avoids yelling, repetition, misunderstanding.
- No gooseneck microphone and no external controls
- Rugged, tamper-resistant materials.
- Simple, one-person installation.
- Compact, contemporary design. Fits any decor.
- Bullet resistant option.
- Units available for ADA applications.
- Built in U.S.A with local and imported components

## SPECIFICATIONS

### MECHANICAL

- Steel Back-boxes  
11 1/2 in H x 3 1/2 in W  
x 2 in D
- Face Plates:  
0.0625 in. Stainless steel standard. (Other gauges available.)  
13 5/8 in. H x 4 1/2 in. W
- Weight:  
Depends on gauge and type of material.
- Mounting:  
Back-boxes recessed in barrier wall.
- Panel controls:  
Exterior (corridor) panel only on-off witch,  
recessed listen volume,  
and recessed talk volume.

### ELECTRONIC

- Audio frequency response: Selectively shaped for maximum voice intelligibility
- Audio power:  
2 Watts per amplifier (2 amplifiers)
- Distortion: Less than 2%
- Listen mode: 20db. compression
- Talk mode: Vox
- Microphones: Electret
- Power supply:  
Input: 90-240 VAC, 60 Hz  
Output: 15 VDC, 1A

Specifications are subject to change without notice.

Talk-Thru systems are shipped complete with cables, instructions, and power supply.