

Low-Profile Voice Communication System for High-Security Locations

The TTU-4 Talk-Thru communication system is particularly suitable for low ambient noise environments that require an unobtrusive, yet tamper-resistant voice communication system.

The TTU-4's counter-mounted design eliminates the need for cutting into a barrier. Its low-profile installation adds a personal dimension to such situations as inmate-to-visitor communications.

All the components including the microphones are housed in the sleek, compact units to avoid the hazards that might be encountered in a high-security environment.

HOW IT WORKS...

The TTU-4 incorporates the same high-quality electronics as the basic Patent Pending (#4049911) Norcon TTU-1X Talk-Thru system. It is a vox system, enabling the inmate and the visitor to have hands free two way communication.

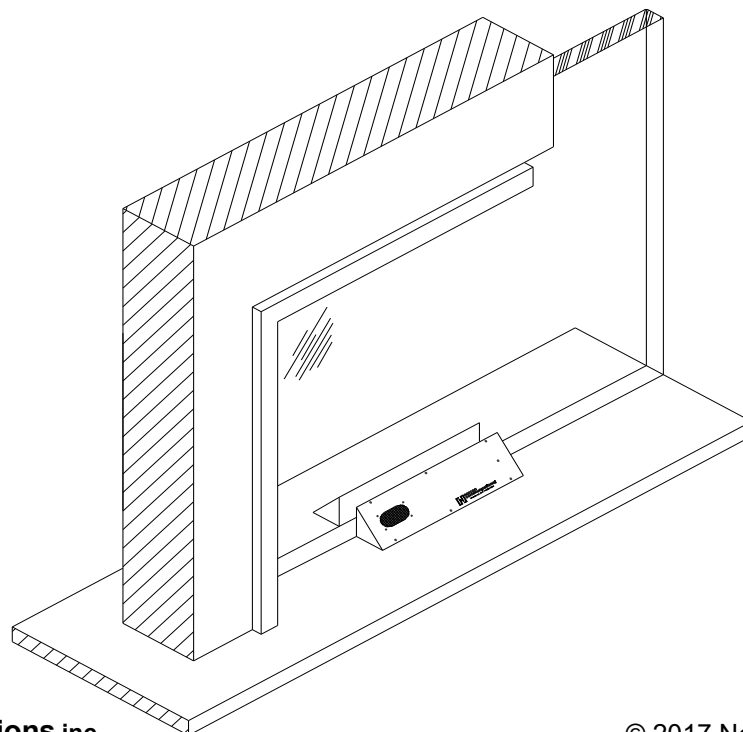
The Norcon TTU-4 provides clear communication, shaping the sound for maximum intelligibility. Its compression circuitry decreases loud, annoying sounds. Since the TTU-4 is designed for

applications in security areas, all controls and microphones are recessed to minimize unauthorized adjustment and tampering. All exposed hardware is tamper-resistant. The go to system for correction facilities and environments where security is of utmost importance.

HOW TO INSTALL...

The TTU-4 comes ready to operate. The prism units are quickly and easily mounted on the counter-top on opposite sides of the barrier. They can be positioned back-to-back (as shown) or randomly. The unit with the controls goes on the visitor side of the barrier. Tamper resistant screws are used for both units. A special security bit is supplied for these screws. There are two ways to install the TTU-4: either run the cable between the units through a small hole in the barrier, or under the counter-top (as shown on the back page).

The TTU-4 uses a continuous-duty, 90-240Volt AC power supply which is stepped down to 15 Volts.



Norcon TTU-4 Talk Thru System™

FEATURES

- Clear 2-way hands-free voice communication.
- Quality electronic design and engineering.
- Avoids shouting, repetition, misunderstanding.
- No gooseneck microphone and no external controls.
- Rugged, tamper-resistant materials.
- Simple one person installation. No need to cut hole in barrier.
- Compact, contemporary design. Fits any decor.
- Export models available.
- Units available for ADA applications.
- Built in U.S.A with local and Imported components

SPECIFICATIONS

MECHANICAL

- ◆ Outside assembly: Machined aluminum, anodized finish, tamper-resistant
- ◆ Inside assembly: Machined aluminum, anodized finish, tamper resistant
- ◆ Size (both assemblies): 12¹/₂ in.W x 2³/₈ in. H x 2³/₈ in. D
- ◆ Weight: 2.5 lbs.
- ◆ Mounting: Counter-top
- ◆ Panel controls: No external controls

ELECTRONIC

- Audio frequency response: Selectively shaped for maximum voice intelligibility
- Audio power: 2 Watts per amplifier (2 amplifiers)
- Distortion: Less than 2%
- Listen mode: 20 dB compression
- Talk mode: Vox
- Microphones: Electret
- Power supply: Input: 90-240 VAC, 60 Hz Output: 15 VDC, 1A Level VI ,UL CE approved

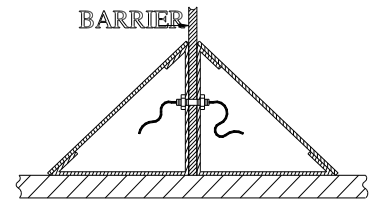
Talk-Thru systems are shipped complete with cables, instruction, and power supply.

Mounting hardware not included

Specifications are subject to change without notice.

MOUNTING DETAILS

“A” TYPE MOUNTING



“B” TYPE MOUNTING

